

*

// : // :

*

...



.() / / / / :

) () (

()

()

...

: ()

.(:)

...



.(:)

.(:)

.(Friedman, 1966: 19)

.(Edward and Pool,1988: 105)

()

...



()

.(:)

.) , ...

(,

. ()

() .

(/)

.(: ' ')

...

			% % % % %	
() ()	()	% %) (% %	

...

()		%	% % %	
) (%	
...			% %	
	...		% % %	
		%	% % %	
		%	% %	

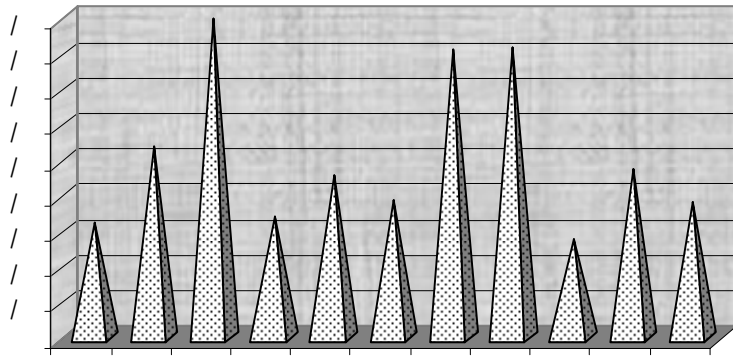
...



/	/	/	/	/	/	/	/	
/	/	/	/	/	/	/	/	
/	/	/	/	/	/	/	/	
,	/	/	/	/	/	/	/	
/	/	/	/	/	/	/	/	
/	/	/	/	/	/	/	/	
	/	/	/	/	/	/	/	
/	/	/	/	/	/	/	/	
/	/	/	/	/	/	/	/	
/	/		/	/	/	/	/	
/	/	/	/	/	/	/	/	

:

...



,

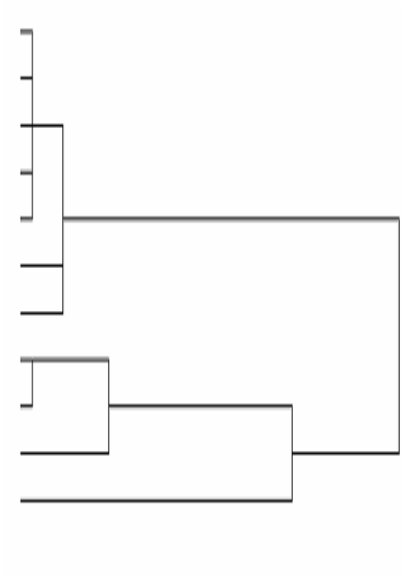
/

.

,

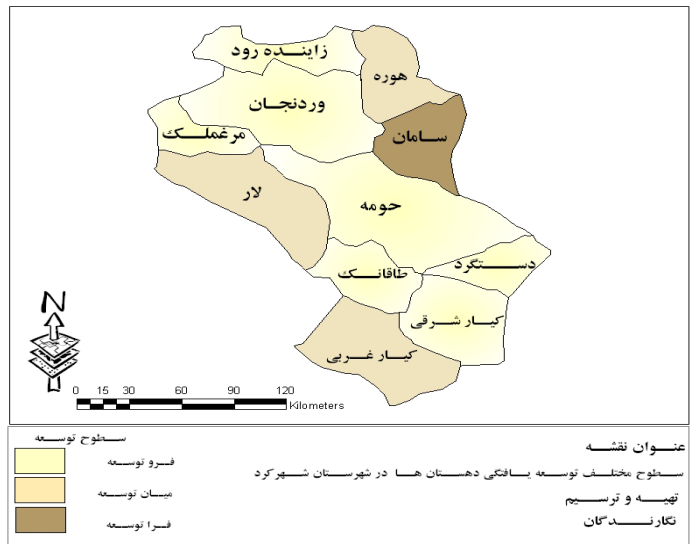
.

...

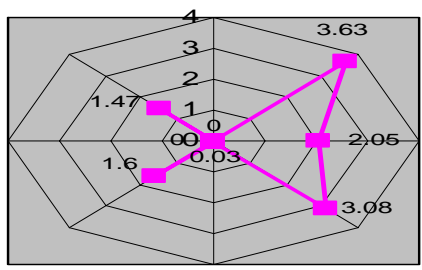


()

...



()



...



...

...

...

...

) (

...

/

...

...

...

()

...

.)

(

)

(

)

(

)

)

(

)

()^()

)

(

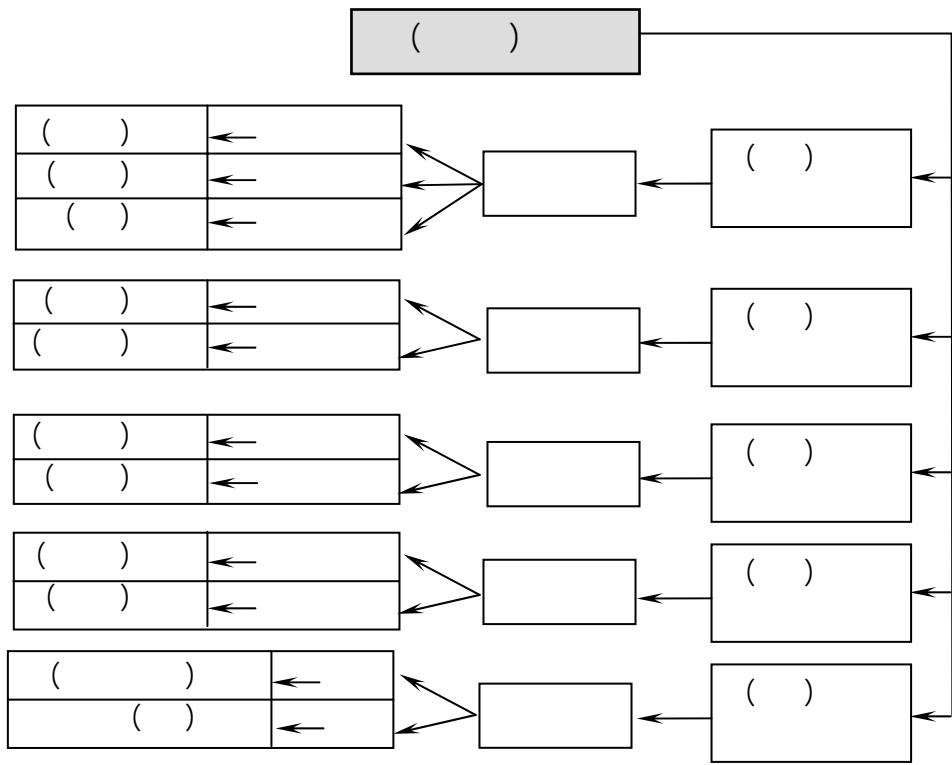
)

(

)

(

...



...

)

(

نقطه قوت

نقطه ضعف

فرصت

تهدید

0 5 10 15

*

)

(

نقطه قوت

نقطه ضعف

فرصت

تهدید

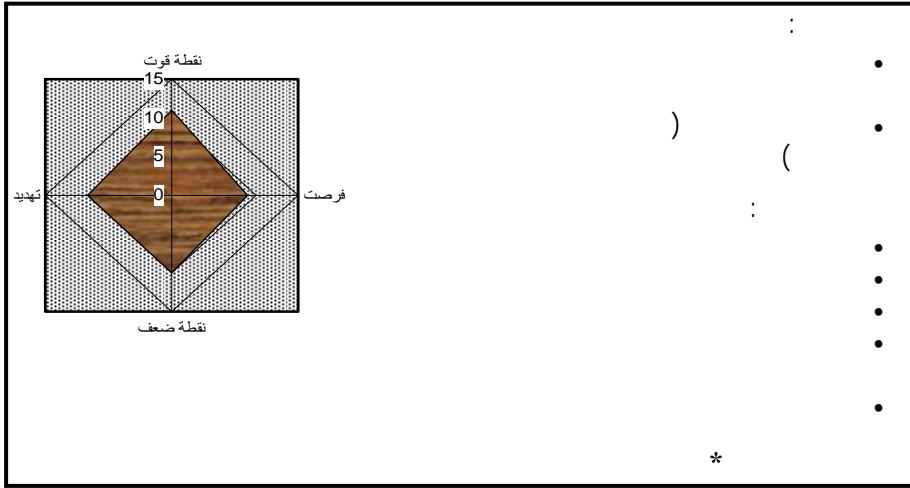
0 5 10 15

*

...

,)

(



:

()

:

...



, ,) , , •
, ,) (, •
(, •
(, •
(() ,
()

, ,

...

...



1. Golt
2. internal position
3. external position
4. Centrality Value (CV)

5. Strengths, Weaknesses, Opportunities, Threats (SWOT)
6. Cluster Analysis (CA)
7. Geographical Information System (GIS)

9. intra-regional

: . ()
()
: .()

...



.« () » ()
: .
» ()
: . «
» ()
«
: . ()
()
: .
()
: .
» ()
«
» ()
: . «
()...
» ()
: . ()
: . ()

...

-
- »,() , ,
«SWOT
() :
- Edward, David and Pool, John (1988), *Worked Exercises in Human Geography*. Third Pub. Cambridge University Press.
- Friedman, J. (1966), *Regional Development Policy: A Case Study of Venezuela*. M. I. T. Press.
- Randinelli, Dennis A. (1985), *Applied Method of Regional Analysis*. Boulder and London: Westview Press.